

WINDOW FRAME

SEALANT

SILL PAN

FLEXIBLE FLASHING

SEALANT

REINFORCING MESH

BASECOAT

CONTINUOUS INSULATION

AIR/WATER BARRIER

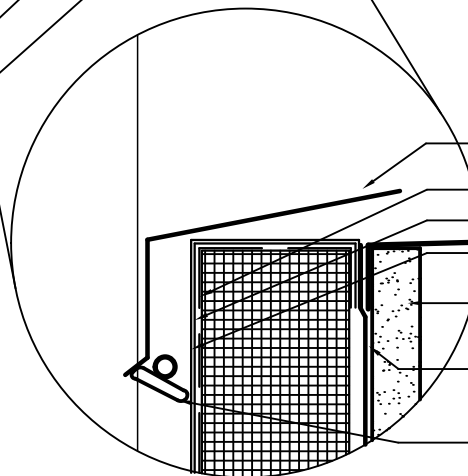
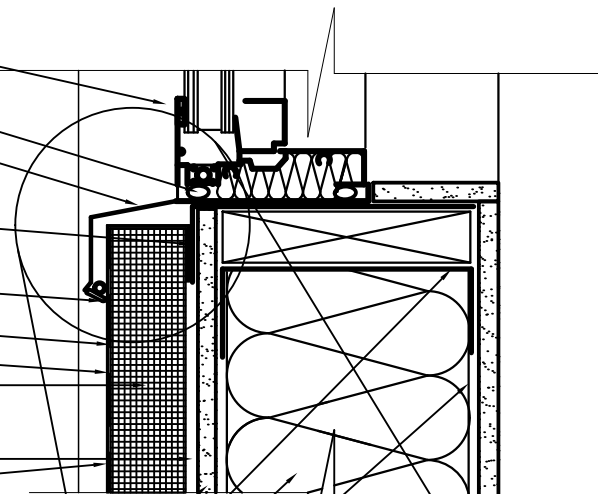
FINISH

GYPSUM SHEATHING

TRACK

CAVITY INSULATION

STEEL STUD



WINDOW FLASHING

REINFORCING MESH

BASECOAT

FINISH

GYPSUM SHEATHING

AIR/WATER BARRIER

SEALANT

GENERAL NOTES:

1. Provide insulation and finish systems to meet EIMA Specifications. Installation of insulation and finish system shall be in accordance to EIMA's **Guide to Exterior Insulation & Finish System Construction**.
2. Provide air/water barrier compatible to EIFS. Air/water barrier to be continuous from face of exterior wall sheathing through rough opening.
3. Wrap window rough opening with appropriate flexible flashing material, check EIMA Guidelines.
4. Install sill pan according to EIMA guidelines and provide positive drainage to exterior.
5. Check with Underwriters Laboratories for specific air/water barrier systems.
6. Protect corner of interior gypsum panels with appropriate corner reinforcement.
7. Follow SFIA **Technical Guide for Cold-Formed Steel Framing Products** for specific depth, thickness, and spacing of structural studs.
8. Consult with specialty structural engineer for structural stud design.
9. Check local codes and mechanical engineer for vapor retarder type and location.
10. Maintain a minimum 3" flexible flashing return unto each adjacent surface.

DISCLAIMER: This detail must not be used without a complete evaluation by the owner's design professional to verify validity of the design.



11/15/2013

EIFS WINDOW SILL

NOT TO SCALE

